

Installation Manual

Premier Elite 8XP

INS179-5



Texecom
Designed to Perform

1. Installation

The Premier Elite 8XP expander is only compatible with the Premier Elite range of control panels. Expanders can be connected serially (daisy chain), in parallel (star) or any combination of the two.

Mounting

Remove each screw cap by inserting a flat bladed screwdriver into the slot and turning anti-clockwise, excessive force is **NOT** required. Remove both of the cover screws and put them in a safe place along with the screw caps. Gently pull the cover away from the base applying slight pressure to the sides at the top of the expander if required. The front cover should now be off.

Mount the expander using at least two appropriate countersunk screws (no larger than No. 8). A keyhole slot has been provided to assist mounting and aid levelling.

Wiring

It is strongly recommended that the system is completely powered down (mains and battery) before wiring an expander. Connect the expander to the control panel using 4-core cable as follows:

Expander	Control Panel	Description
+	+	+12V Supply
-	-	0V Supply
T	T	Transmit Data
R	R	Receive Data

The networks are made up of four terminals incorporating power and data. To ensure correct operation, all four terminals on the device must be connected to the corresponding terminals on the control panel or previous device.










Expanders can be connected using 4-core cable. However, it is recommended that 6 or 8-core cable is used as the spare cores can be used to 'Double Up' on the power connections if needed.



Standard 7/0.2 alarm cable can be used for most installations. However, under certain conditions it may be necessary to use screened cable.

Selecting an Address

Each expander must be assigned a different address using the DIL switches located in the centre of the PCB. The table below shows the expander addressing:

Address	DIL 1	DIL 2	DIL 3	DIL 4	
1	On or Off	Off	Off	Off	
2	Off	On	Off	Off	
3	Off	Off	On	Off	
4	Off	Off	Off	On	
5	On	Off	Off	On	
6	Off	On	Off	On	
7	Off	Off	On	On	
8	On	Off	On	On	



NOTE Never set two expanders on the same network to the same address.

Expanders are factory set to address 1.

Star and Daisy Jumper Option

The PCB has a jumper JP3 which allows you to select either STAR (S) or DAISY (D) wiring configuration. The jumper should be set as follows:



STAR

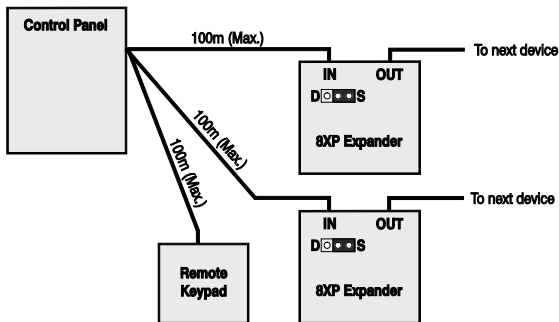
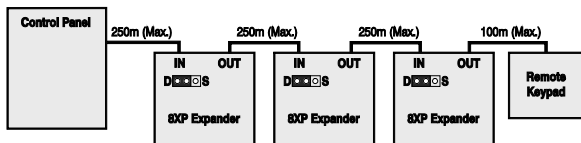
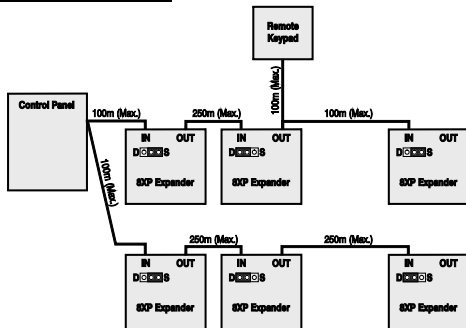
If the network IN connection is wired in parallel with any other device the jumper **MUST** be set to the **S** position. All previous versions of the expander operated in this mode and for backward compatibility the unit is supplied with the jumper in this position.



DAISY

If the network IN connection is only wired to one device the jumper should be set to the **D** position.

When the jumper is set to the STAR position the network data signals are not boosted between expander and the previous device. In this mode the network cabling **MUST** not exceed 100m between devices. When the jumper is set to the DAISY position the network data signals are boosted between the expander and the previous device. This mode will allow expanders on the network to be connected up to 250m apart and **MUST** only be selected if the expander has one device connected to the network "IN" connections.

Star wiring example**Daisy chain wiring example****Combined Wiring example**

Wiring Zones

Please refer to the control panel Installation Manual for details on wiring, programming and testing the zones.

Wiring Outputs

Please refer to the control panel Installation Manual for details on wiring, programming and testing the outputs.

Wiring Loudspeakers

Please refer to the control panel Installation Manual for details on wiring, volume adjustment and testing the loudspeaker.

Com Port

The 8XP incorporates a com port which can be used to connect PSU200 Intelligent Power Supply. No programming is required for the device. See the device and panel manuals for operation.

2. Specifications

Operating Voltage:	10 -14VDC
Current Consumption:	<120mA
Network	4-wire standard 7/0.2 alarm cable up to 250m. Star, Daisy Chain or any combination.
Zones:	8 fully programmable
Outputs 1- 8:	100mA switched -ve
Loud Speaker Output:	Minimum impedance 8 Ω
Operating Temperature:	-10°C (+14°F) to +50°C (+122°F)
Storage Temperature:	-20°C (-4°F) to +60°C (+140°F)
Maximum Humidity:	95% non-condensing
Dimensions:	170mm x 140mm x 35mm
Material:	3mm ABS
Packed Weight:	200g
EMC Environment	Residential, Commercial, Light Industrial or Industrial

Standards



2004/108/EC (CE directive): Hereby, Texecom declares that this device is in compliance with the essential requirements and other relevant provisions of Directive 2004/108/EC.



WEEE Directive: 2002/96/EC (WEEE directive): Products marked with this symbol cannot be disposed of as unsorted municipal waste in the European Union. For proper recycling, return this product to your local supplier upon the purchase of equivalent new equipment, or dispose of it at designated collection points. For more information see: www.recyclethis.info.

RoHS Directive: 2002/95/EC RoHS Compliant. Hereby, Texecom declares that this device does not contain lead, mercury, cadmium, hexavalent chromium, polybrominated biphenyls (PBB) or polybrominated diphenyl ethers (PBDE) in more than the percentage specified by EU directive 2002/95/EC, except exemptions stated in EU directive 2002/95/EC annex.

This product is a Type B Moveable device and is suitable for use in systems designed to comply with EN 50131-1, EN50131-3 and PD6662 at Grade 3 and Environmental Class II.

Warranty

All Texecom products are designed for reliable, trouble free operation. Quality is carefully monitored by extensive computerised testing. As a result the *Premier 8XP* is covered by a two-year warranty against defects in materials or workmanship.

As the *Premier Elite 8XP* is not a complete alarm system but only a part thereof, Texecom cannot accept responsibility or liability for any damages whatsoever based on a claim that the control panel failed to function correctly.

Due to our policy of continuous improvements Texecom reserve the right to change specification without prior notice.

Notes

Texecom

Designed to Perform

Texecom Limited, Bradwood Court, St. Crispin Way, Haslingden, Lancashire BB4 4PW, England.

Technical Support:

UK Customers Tel: 08456 300 600

(Calls charged at 3.36 pence per minute from a BT landline. Calls from other networks may vary.)

International Customers Tel: +44 1706 233875

Email: techsupport@texe.com

© Texecom Limited 2011

INS179-5

